


Position	Qty.	Description
	1	<p><b>SQF 5A-3 N</b></p>  <p><b>Note! Product picture may differ from actual product</b></p> <p>Product No.: <a href="#">95027358</a></p> <p>The 4" SQF centrifugal pump is for low heads and large flow rates.</p> <p>The SQFlex system is a reliable water supply system based on renewable energy sources, such as solar and wind energy.</p> <p>Thanks to its flexible energy supply and performance, the SQFlex system can be combined and adapted to meet any need on the installation site.</p> <p>The SQFlex system has a wide voltage range, built-in maximum power point tracking (MPPT) as well as dry-running, voltage and overload protection.</p> <p><b>Liquid:</b>  Pumped liquid: Water  Maximum liquid temperature: 40 °C  Liquid temp: 20 °C  Density: 998.2 kg/m³</p> <p><b>Technical:</b>  Approvals on motor nameplate: CE</p> <p><b>Materials:</b>  Pump: Stainless steel  DIN W.-Nr. 1.4401  AISI 316  Impeller: Stainless steel  DIN W.-Nr. 1.4401  AISI 316</p> <p><b>Installation:</b>  Maximum ambient pressure: 15 bar  Pump outlet: Rp 1 1/2  Minimum borehole diameter: 102 mm</p> <p><b>Electrical data:</b>  Motor type: MSF3N  Power input - P1: 1.4 kW  Rated voltage ac: 1 x 90-240 V  Rated voltage dc: 30-300 V  Start. method: direct-on-line  Rated current: 8.4 A  Power factor: 1  Rated speed: 500-3600 rpm</p>



Company name:

Created by:

Phone:

Date: 2/19/2016

Position	Qty.	Description
		Enclosure class (IEC 34-5): IP68 Insulation class (IEC 85): F Length of cable: 2 m  <b>Others:</b> Minimum efficiency index, MEI : 0.56 Net weight: 9.3 kg Gross weight: 10.8 kg Shipping volume: 0.028 m <sup>3</sup>



Company name:

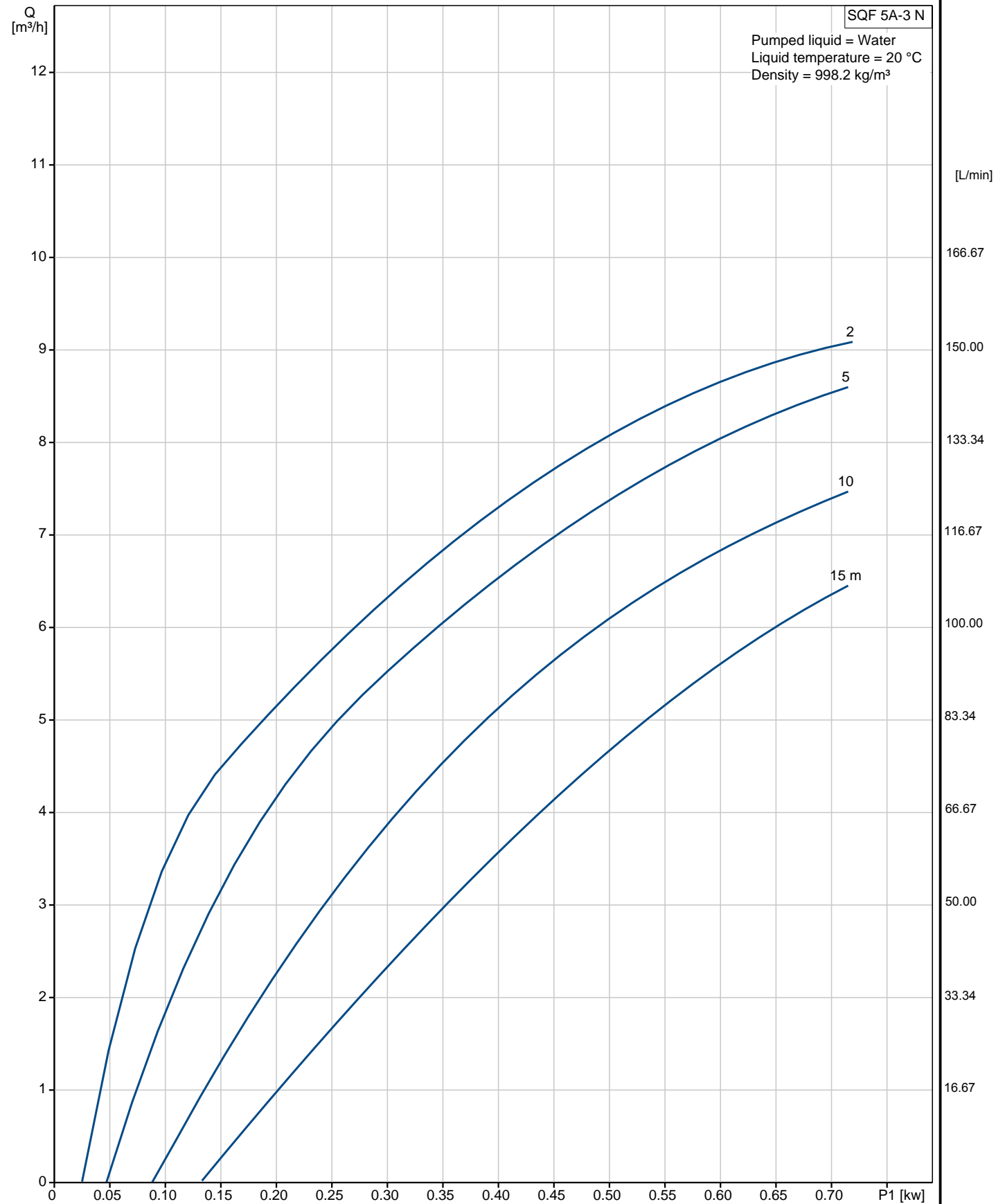
Created by:

Phone:

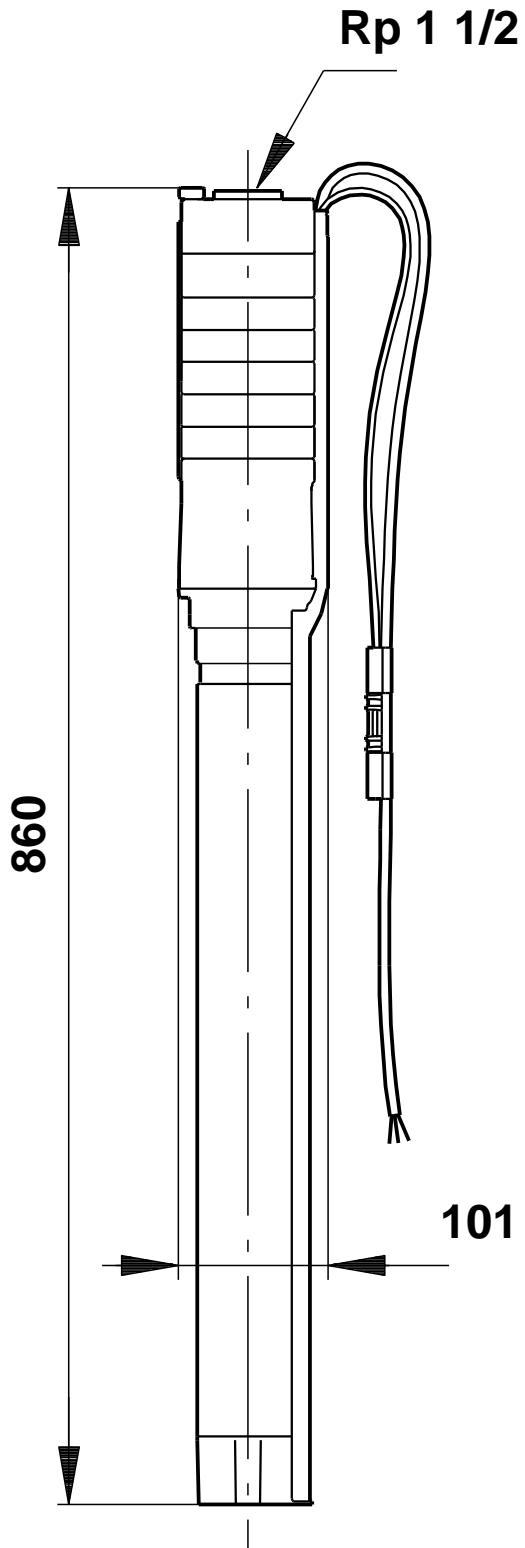
Date:

2/19/2016

### 95027358 SQF 5A-3 N 50 Hz



**95027358 SQF 5A-3 N 50 Hz**



Note! All units are in [mm] unless others are stated.  
Disclaimer: This simplified dimensional drawing does not show all details.