


Position	Qty.	Description																																		
	1	<p data-bbox="320 338 459 367">SQF 5A-7 N</p> <div data-bbox="391 383 630 786" style="text-align: center;">  </div> <p data-bbox="710 770 1193 797" style="text-align: right;">Note! Product picture may differ from actual product</p> <p data-bbox="320 801 584 831">Product No.: 95027360</p> <p data-bbox="320 862 1050 891">The 4" SQF centrifugal pump is for low heads and large flow rates.</p> <p data-bbox="320 922 1409 974">The SQFlex system is a reliable water supply system based on renewable energy sources, such as solar and wind energy.</p> <p data-bbox="320 981 1369 1032">Thanks to its flexible energy supply and performance, the SQFlex system can be combined and adapted to meet any need on the installation site.</p> <p data-bbox="320 1064 1428 1120">The SQFlex system has a wide voltage range, built-in maximum power point tracking (MPPT) as well as dry-running, voltage and overload protection.</p> <p data-bbox="320 1182 405 1211">Liquid:</p> <table data-bbox="320 1214 815 1335"> <tr> <td>Pumped liquid:</td> <td>Water</td> </tr> <tr> <td>Maximum liquid temperature:</td> <td>40 °C</td> </tr> <tr> <td>Liquid temp:</td> <td>20 °C</td> </tr> <tr> <td>Density:</td> <td>998.2 kg/m³</td> </tr> </table> <p data-bbox="320 1361 443 1391">Technical:</p> <p data-bbox="320 1393 719 1422">Approvals on motor nameplate: CE</p> <p data-bbox="320 1453 437 1482">Materials:</p> <table data-bbox="320 1485 887 1659"> <tr> <td>Pump:</td> <td>Stainless steel DIN W.-Nr. 1.4401 AISI 316</td> </tr> <tr> <td>Impeller:</td> <td>Stainless steel DIN W.-Nr. 1.4401 AISI 316</td> </tr> </table> <p data-bbox="320 1691 459 1720">Installation:</p> <table data-bbox="320 1722 778 1809"> <tr> <td>Maximum ambient pressure:</td> <td>15 bar</td> </tr> <tr> <td>Pump outlet:</td> <td>Rp 1 1/2</td> </tr> <tr> <td>Minimum borehole diameter:</td> <td>102 mm</td> </tr> </table> <p data-bbox="320 1841 496 1870">Electrical data:</p> <table data-bbox="320 1872 839 2101"> <tr> <td>Motor type:</td> <td>MSF3N</td> </tr> <tr> <td>Power input - P1:</td> <td>1.4 kW</td> </tr> <tr> <td>Rated voltage ac:</td> <td>1 x 90-240 V</td> </tr> <tr> <td>Rated voltage dc:</td> <td>30-300 V</td> </tr> <tr> <td>Start. method:</td> <td>direct-on-line</td> </tr> <tr> <td>Rated current:</td> <td>8.4 A</td> </tr> <tr> <td>Power factor:</td> <td>1</td> </tr> <tr> <td>Rated speed:</td> <td>500-3600 rpm</td> </tr> </table>	Pumped liquid:	Water	Maximum liquid temperature:	40 °C	Liquid temp:	20 °C	Density:	998.2 kg/m ³	Pump:	Stainless steel DIN W.-Nr. 1.4401 AISI 316	Impeller:	Stainless steel DIN W.-Nr. 1.4401 AISI 316	Maximum ambient pressure:	15 bar	Pump outlet:	Rp 1 1/2	Minimum borehole diameter:	102 mm	Motor type:	MSF3N	Power input - P1:	1.4 kW	Rated voltage ac:	1 x 90-240 V	Rated voltage dc:	30-300 V	Start. method:	direct-on-line	Rated current:	8.4 A	Power factor:	1	Rated speed:	500-3600 rpm
Pumped liquid:	Water																																			
Maximum liquid temperature:	40 °C																																			
Liquid temp:	20 °C																																			
Density:	998.2 kg/m ³																																			
Pump:	Stainless steel DIN W.-Nr. 1.4401 AISI 316																																			
Impeller:	Stainless steel DIN W.-Nr. 1.4401 AISI 316																																			
Maximum ambient pressure:	15 bar																																			
Pump outlet:	Rp 1 1/2																																			
Minimum borehole diameter:	102 mm																																			
Motor type:	MSF3N																																			
Power input - P1:	1.4 kW																																			
Rated voltage ac:	1 x 90-240 V																																			
Rated voltage dc:	30-300 V																																			
Start. method:	direct-on-line																																			
Rated current:	8.4 A																																			
Power factor:	1																																			
Rated speed:	500-3600 rpm																																			



Company name:

Created by:

Phone:

Date: 2/19/2016

Position	Qty.	Description
		Enclosure class (IEC 34-5): IP68 Insulation class (IEC 85): F Length of cable: 2 m Others: Minimum efficiency index, MEI : 0.56 Net weight: 10.2 kg Gross weight: 11.7 kg Shipping volume: 0.028 m ³



Company name:

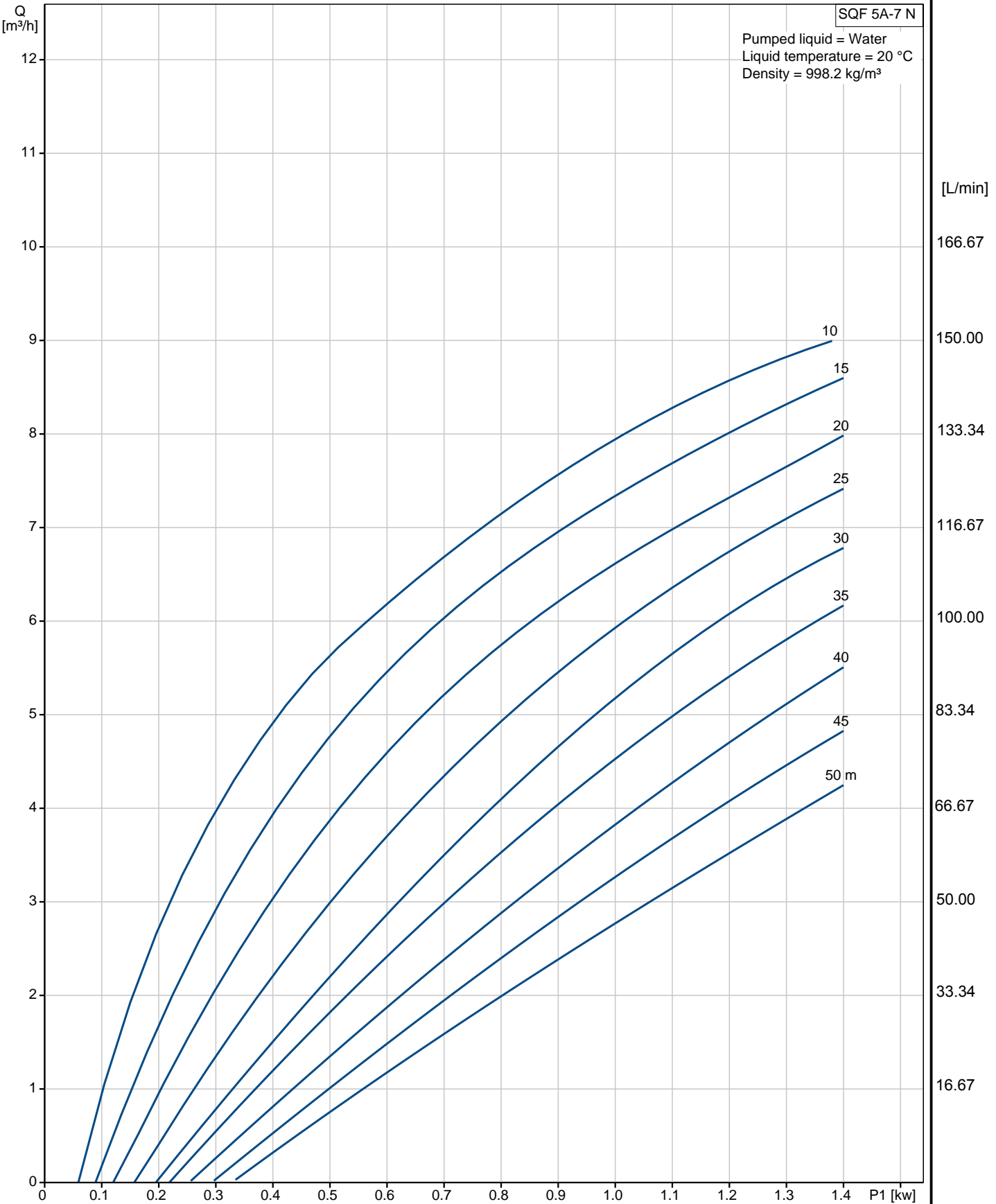
Created by:

Phone:

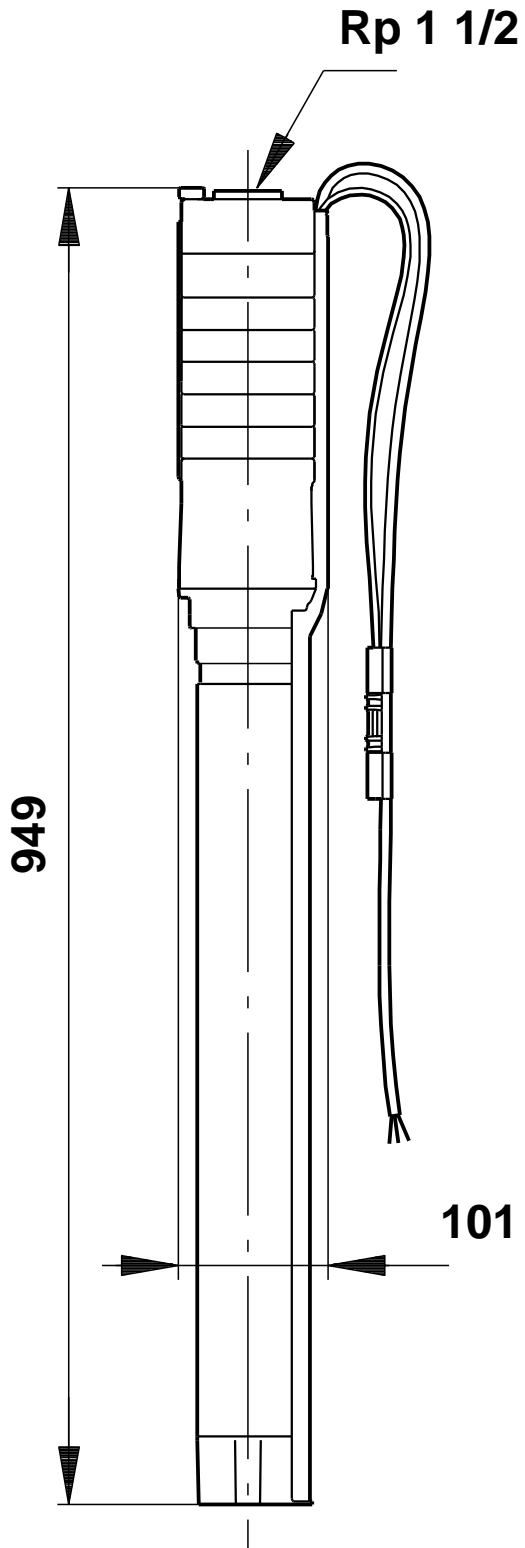
Date:

2/19/2016

95027360 SQF 5A-7 N 50 Hz



95027360 SQF 5A-7 N 50 Hz



Note! All units are in [mm] unless others are stated.
Disclaimer: This simplified dimensional drawing does not show all details.