


Position	Qty.	Description
	1	<p>SQF 7-4</p>  <p>Note! Product picture may differ from actual product</p> <p>Product No.: 98979253</p> <p>The 4" SQF centrifugal pump is for low heads and large flow rates.</p> <p>The SQFlex system is a reliable water supply system based on renewable energy sources, such as solar and wind energy.</p> <p>Thanks to its flexible energy supply and performance, the SQFlex system can be combined and adapted to meet any need on the installation site.</p> <p>The SQFlex system has a wide voltage range, built-in maximum power point tracking (MPPT) as well as dry-running, voltage and overload protection.</p> <p>Liquid: Pumped liquid: Water Maximum liquid temperature: 40 °C Liquid temperature during operation: 20 °C Density: 998.2 kg/m³</p> <p>Technical: Approvals on motor nameplate: CE,RCM,EAC Approvals on pump nameplate: CE,EAC</p> <p>Materials: Pump: Stainless steel DIN W.-Nr. 1.4301 AISI 304 Impeller: Stainless steel DIN W.-Nr. 1.4301 AISI 304</p> <p>Installation: Maximum ambient pressure: 15 bar Pump outlet: Rp 2 Minimum borehole diameter: 102 mm</p> <p>Electrical data: Motor type: MSF3 Power input - P1: 1.4 kW Rated voltage ac: 1 x 90-240 V Rated voltage dc: 30-300 V Rated current: 8.4 A Power factor: 1.0 Rated speed: 500-3600 rpm</p>



Company name:

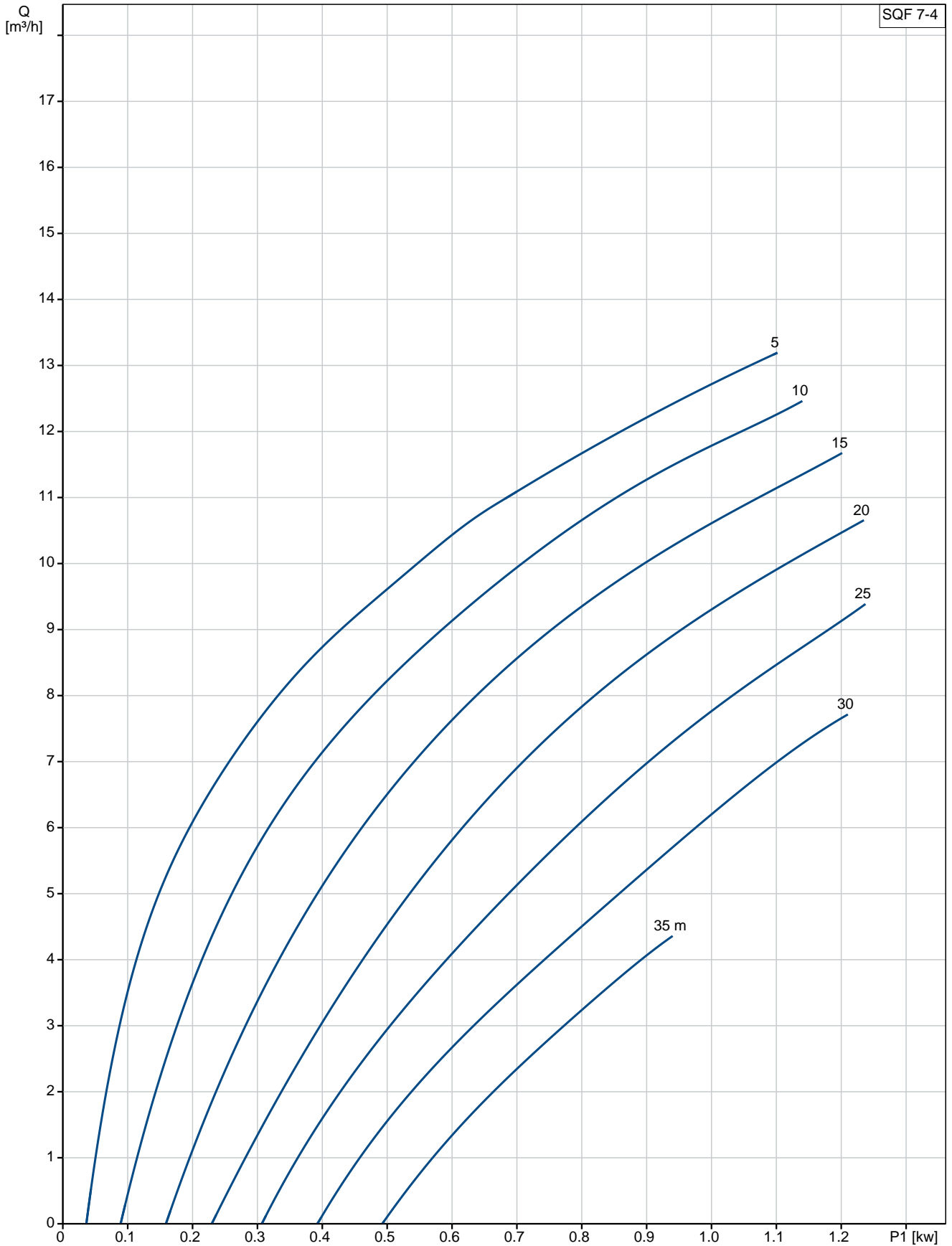
Created by:

Phone: 08 9192 6606

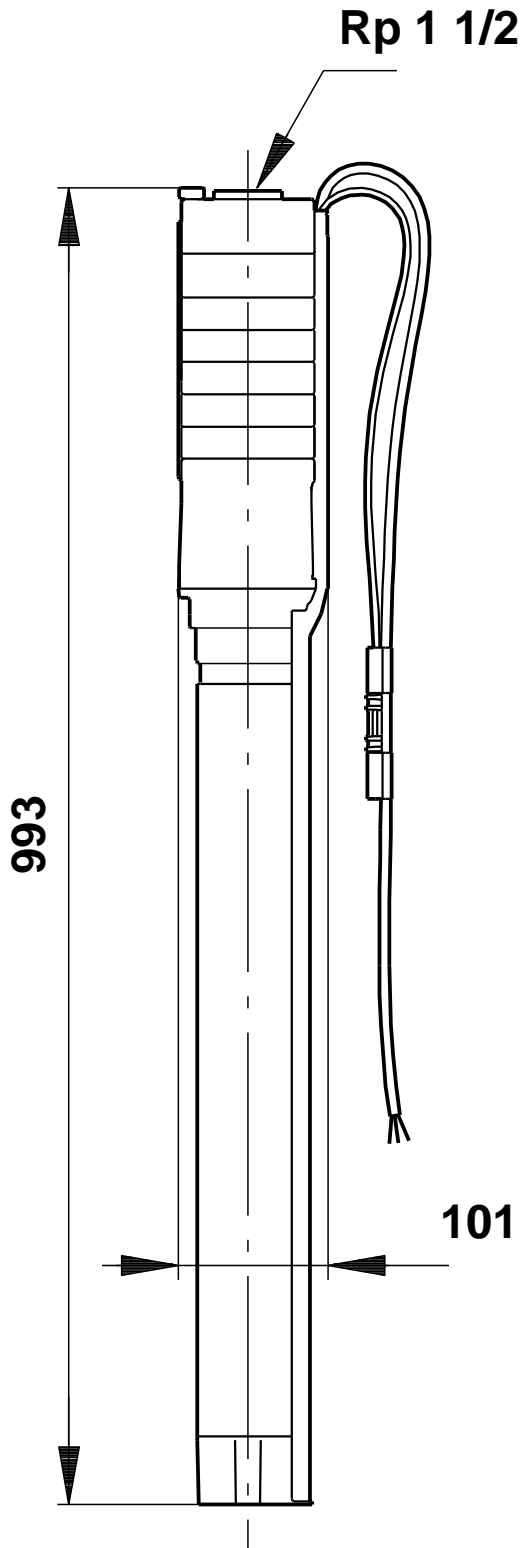
Date: 01/10/2018

Position	Qty.	Description
		Start. method: direct-on-line Enclosure class (IEC 34-5): IP68 Insulation class (IEC 85): F Length of cable: 2 m Udc: 300 V 30 V Others: Minimum efficiency index, MEI : -- Net weight: 10.6 kg Gross weight: 12.1 kg Shipping volume: 0.028 m ³

98979253 SQF 7-4 50 Hz



98979253 SQF 7-4 50 Hz



Note! All units are in [mm] unless others are stated.
Disclaimer: This simplified dimensional drawing does not show all details.